

Top quality for agriculture at unbeatable prices



Solid ball valves

for powerful agricultural machines

The German ball valve specialist **RÖTELMANN** has developed a solid and inexpensive series of hydraulic ball valves especially for use in agricultural machinery.

Manufactured according to high German quality standards, **BALLVALVE** makes the best agricultural machinery even more reliable.



BALLVALVE makes good agricultural machinery even better



Profit for everyone

BALLVALVE is specially built for machines in agriculture. The ball valves are reliable in everyday use, do not cause expensive downtime and upgrade the quality of prestigious agricultural machinery manufacturers.



Makes good even better

In machines for seeding, irrigation, fertilization, pest control and harvesting, **BALLVALVE** increases productivity and safety and protects the environment.



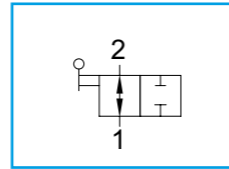
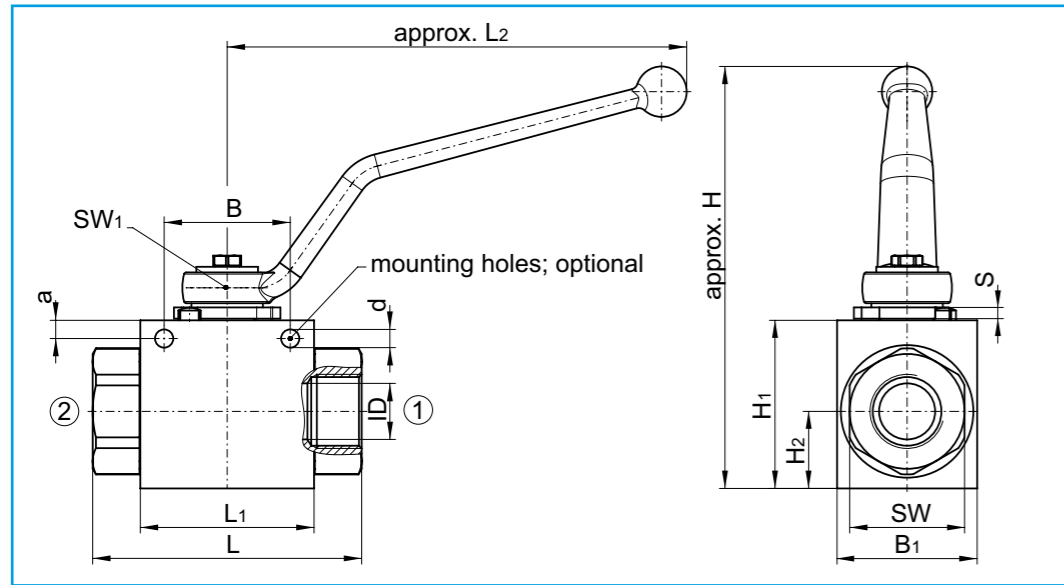
Productivity is affordable

Good quality and low price, that's possible. **BALLVALVE** is always in stock and can be ordered at short notice.



2-way ball valves with threaded connector

Steel · DN 4 - DN 25



Handle included in delivery.
Please check pressure rating of the pipe fittings!
Operating temperature: -20°C until +100°C
All dimensions subject to change without notice.

Dimensions in mm
Weight in kg
Pressure in bar

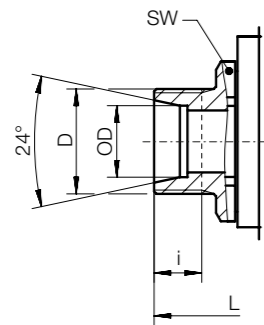
Mounting holes

ID	5	6	8	10	13	16	20	25
B	26	26	26	32	37.5	37.5	45	55
a	5	5	5	5	5	5	6.5	6.5
d	Ø 4.5	Ø 4.5	Ø 4.5	Ø 6.5	Ø 6.5	Ø 6.5	Ø 6.5	Ø 6.5

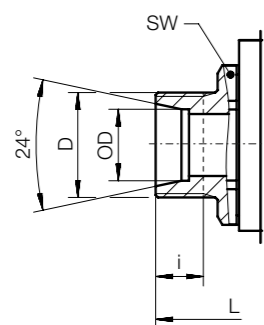
Body:	steel, zinc plated
Ball:	brass, chrome-plated
Stem:	steel, zinc plated
Ball seals:	POM
Stem seals:	NBR
Handle:	zinc, die cast
Stop plate:	steel, zinc plated

Connection

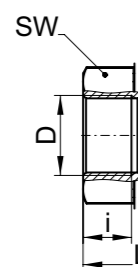
For cut (clamp)
ring tube
fitting
DIN 2353
light series
ISO 8434-1



For cut (clamp)
ring tube
fitting
DIN 2353
heavy series
ISO 8434-1



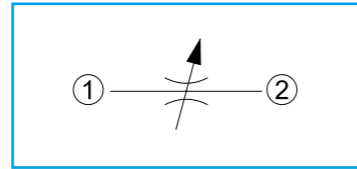
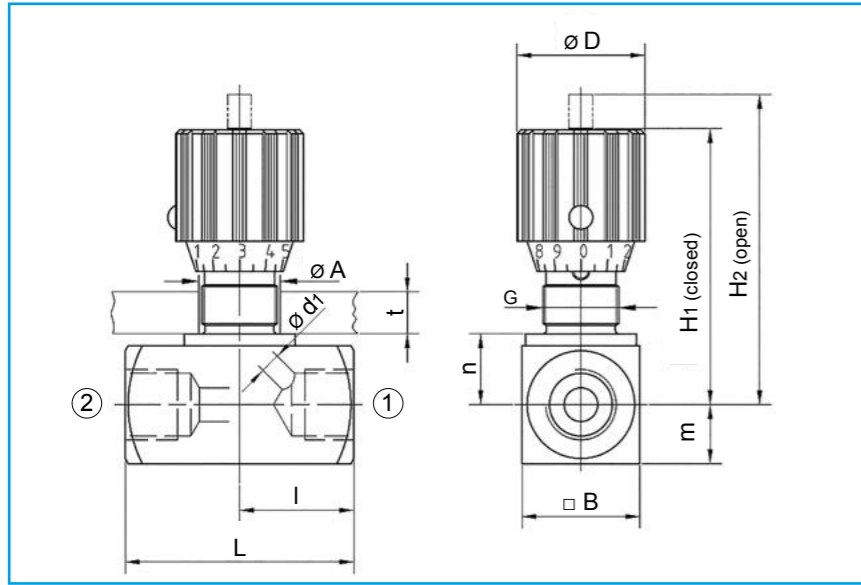
BSP-female thread
DIN EN ISO 228-1



Connection	DN	ID	Thread D	OD	L	i	L ₁	B ₁	H ₁	H ₂	S	SW	SW ₁	H	L ₂	Weight	DN	without mounting holes		with mounting holes	
																		PN	Article no.	PN	Article no.
For cut (clamp) ring tube fitting DIN 2353 light series ISO 8434-1	4	5	M 12 x 1.5	6	67	8	36	26	32	13	3	22	9	68	108	0.3	4	500	300100	500	300150
	6	6	M 14 x 1.5	8	67	8	36	26	32	13	3	22	9	68	108	0.3	6	500	300101	500	300151
	8	8	M 16 x 1.5	10	71	9	36	26	32	13	3	22	9	68	108	0.3	8	500	300102	500	300152
	10	8	M 18 x 1.5	12	71	9	36	26	32	13	3	27	9	68	108	0.3	10	500	300103	500	300153
	10	10	M 18 x 1.5	12	75	9	44	32	38	17	3	27	9	74	108	0.5	10	500	300104	500	300154
	13	10	M 22 x 1.5	15	77	10	44	32	38	17	3	27	9	74	108	0.5	13	500	300105	500	300155
	13	13	M 22 x 1.5	15	84	10	48	35	40	18	3	30	9	76	108	0.6	13	500	300106	500	300156
	16	15	M 26 x 1.5	18	83	10	48	40	45	19	3.5	32	12	135	164	0.9	16	500	300029	500	300026
	20	20	M 30 x 2.0	22	102	12	62	50	60	28	4	41	14	151	164	1.6	20	420	300109	420	300022
	25	25	M 36 x 2.0	28	108	12	66	60	60	28	4	46	14	151	164	2.0	25	420	300110	420	300023
For cut (clamp) ring tube fitting DIN 2353 heavy series ISO 8434-1	4	5	M 14 x 1.5	6	71.5	10	36	26	32	13	3	22	9	68	108	0.4	4	500	300200	500	300250
	4	5	M 16 x 1.5	8	73	10	36	26	32	13	3	22	9	68	108	0.4	4	500	300201	500	300251
	6	6	M 18 x 1.5	10	73	10	36	26	32	13	3	22	9	68	108	0.4	6	500	300202	500	300252
	8	8	M 20 x 1.5	12	77	10	36	26	32	13	3	22	9	68	108	0.4	8	500	300203	500	300253
	10	8	M 22 x 1.5	14	81	10	36	26	32	13	3	27	9	68	108	0.4	10	500	300204	500	300254
	10	10	M 22 x 1.5	14	84	12	44	32	38	17	3	27	9	74	108	0.5	10	500	300205	500	300255
	13	10	M 24 x 1.5	16	87	12	44	32	38	17	3	27	9	74	108	0.6	13	500	300206	500	300256
	13	13	M 24 x 1.5	16	87	12	48	35	40	18	3	30	9	76	108	0.7	13	500	300207	500	300257
	16	15	M 30 x 2.0	20	90	14	48	40	45	19	3.5	32	12	135	164	1.0	16	500	300030	500	300027
	20	20	M 36 x 2.0	25	110	15	62	50	60	28	4	41	14	151	164	1.7	20	420	300210	420	300024
25	25	M 42 x 2.0	30	120	17	66	60	60	28	4	46	14	151	164	2.1	25	420	300211	420	300025	
BSP-female thread DIN EN ISO 228-1	4	5	G 1/8	-	69	8	36	26	32	13	3	22	9	68	108	0.4	4	500	300300	500	300350
	6	6	G 1/4	-	69	12	36	26	32	13	3	22	9	68	108	0.4	6	500	300301	500	300351
	10	8	G 3/8	-	69	12	36	26	32	13	3	22	9	68	108	0.4	10	500	300302	500	300352
	10	10	G 3/8	-	73	12	44	32	38	17	3	27	9	74	108	0.5	10	500	300303	500	300353
	13	10	G 1/2	-	78	14	44	32	38	17	3	27	9	74	108	0.5	13	500	300304	500	300354
	13	13	G 1/2	-	85	14	48	35	40	18	3	30	9	76	108	0.7	13	500	300305	500	300355
	16	15	G 5/8	-	84	14	48	40	45	19	3.5	32	12	135	164	1.0	16	500	300031	500	300028
	20	20	G 3/4	-	96	16	62	50	60	28	4	41	14	151	164	1.7	20	420	300307	420	300020
	25	25	G 1	-	113	18	66	60	60	28	4	46	14	151	164	2.2	25	420	300308	420	300021

Needle valves with threaded connector

Steel · DN 6 - DN 40



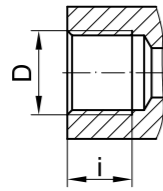
Please check pressure rating of the pipe fittings!
Operating temperature: -20°C bis +100°C
All dimensions subject to change without notice

Dimensions in mm
Weight in kg
Pressure in bar

Body:	steel, zinc plated
Spindle:	steel
Rotary knob:	plastic
O-rings:	NBR

Connection

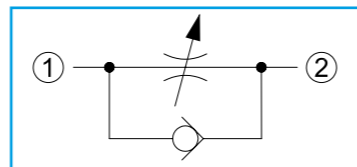
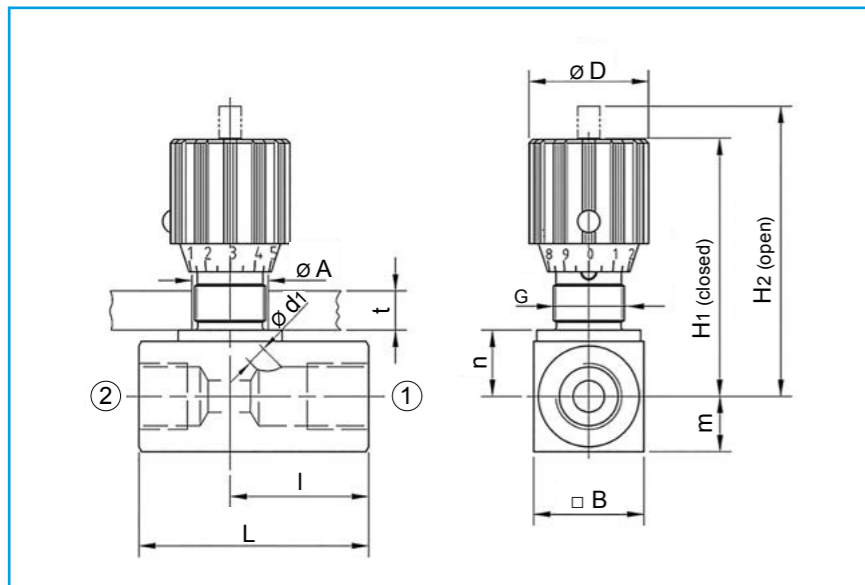
BSP-female thread
DIN EN ISO 228-1



DN	Thread D	L	I	i	H ₁	H ₂	m	n	B	D	d ₁	A	G	t _{max}	Weight	DN	PN	Article no.
6	G 1/8	38	19	9	51	56	8	10	16	24	3	13	Pg 7	4	0.1	6	350	300320
8	G 1/4	48	24	12	65	71	12.5	14.5	25	29	4	19	Pg 11	7	0.3	8	350	300321
10	G 3/8	58	29	13.5	68	75	15	17	30	29	5	19	Pg 11	7	0.4	10	350	300322
12	G 1/2	68	34	14.5	82	92	17.5	21	35	38	6	23	Pg 16	7	0.6	12	350	300323
16	G 3/4	78	39	17.5	96	106	22.5	26	45	38	8	23	Pg 16	7	1.1	16	350	300324
20	G 1	108	54	19.5	121	134	25	30	50	49	13.5	38	Pg 29	10	2.4	20	350	300325
25	G 1¼	108	54	21.5	126	139	30	35	60	49	13.5	38	Pg 29	10	2.8	25	350	300326
30	G 1½	108	54	23.5	131	144	35	40	70	49	13.5	38	Pg 29	10	3.5	30	350	300327
40	G 2	120	60	25.5	141	154	45	50	90	49	13.5	38	Pg 29	10	6.2	40	350	300328

Flow control valves with threaded connector

Steel · DN 6 - DN 40



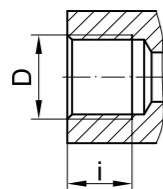
Please check pressure rating of the pipe fittings!
Operating temperature: -20°C until +100°C
All dimensions subject to change without notice

Dimensions in mm
Weight in kg
Pressure in bar

Body:	steel, zinc plated
Spindle:	steel
Rotary knob:	plastic
O-rings:	NBR

Connection

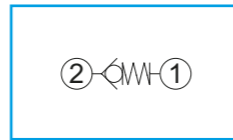
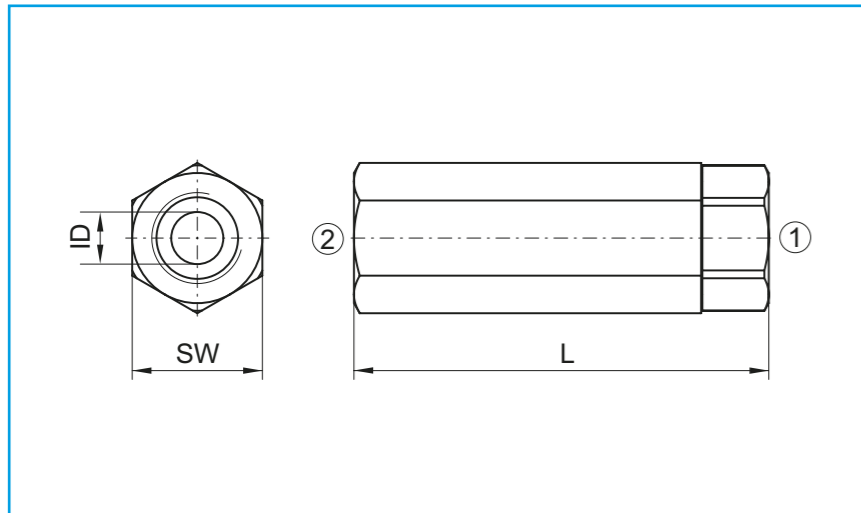
BSP-female thread
DIN EN ISO 228-1



DN	Thread D	L	l	i	H ₁	H ₂	m	n	B	D	d ₁	A	G	t _{max}	Weight	DN	PN	Article no.
6	G 1/8	45	26	9	51	56	8	10	16	24	3	13	Pg 7	4	0.1	6	350	300310
8	G 1/4	55	33.5	13	65	71	12.5	14.5	25	29	4	19	Pg 11	7	0.3	8	350	300311
10	G 3/8	65	41	13.5	68	75	15	17	30	29	5	19	Pg 11	7	0.5	10	350	300312
12	G 1/2	73	44	15.5	82	92	17.5	21	35	38	6	23	Pg 16	7	0.7	12	350	300313
16	G 3/4	88	57	16.5	96	106	22.5	26	45	38	8	23	Pg 16	7	1.3	16	350	300314
20	G 1	127	77	19.5	121	134	25	30	50	49	13.5	38	Pg 29	10	2.6	20	350	300315
25	G 1¼	143	93	21.5	126	139	30	35	60	49	13.5	38	Pg 29	10	3.7	25	350	300316
30	G 1½	143	91	23.5	131	144	35	40	70	49	13.5	38	Pg 29	10	4.8	30	350	300317
40	G 2	165	111	25.5	141	154	45	50	90	49	13.5	38	Pg 29	10	8.5	40	350	300318

Check valves with threaded connector

Steel · DN 4 - DN 25



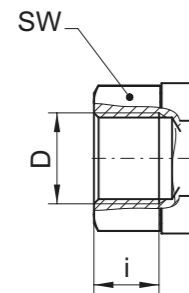
Please check pressure rating of the pipe fittings!
Operating temperature: -20°C until +100°C
All dimensions subject to change without notice

Dimensions in mm
Weight in kg
Pressure in bar

Body:	steel, zinc plated
Seat:	POM
O-ring:	NBR

Connection

BSP-female thread
DIN EN ISO 228-1



DN	ID	Thread	D	i	L	SW	„Opening-pressure“	Weight	DN	PN	Article no.
4	4	G 1/8	12	82	19	1.0	0.2	4	315	300330	
6	6	G 1/4	12	82	19	1.0	0.2	6	315	300331	
10	10	G 3/8	14	77	24	0.5	0.3	10	315	300332	
13	12	G 1/2	15	96	30	0.5	0.4	13	315	300333	
20	20	G 3/4	18	116	41	0.5	0.8	20	315	300334	
25	25	G 1	18	135	50	0.5	1.4	25	315	300335	

Precision and quality

RÖTELMANN is one of the pioneers in the field of shut-off and control technology. Whether in the offshore sector, power generation, mechanical engineering or any other application – we think far ahead so that our shut-off and control units prove themselves in precision, durability and handling and are up to their tasks for a long time.

But our service does not end with the perfect product and on time delivery. You can expect professional advice and full commitment to your project.

Get in touch today!



Made in Germany

by Rötelmann GmbH

In der Lacke 10

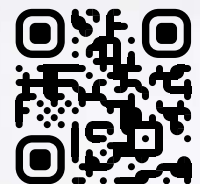
58791 Werdohl

Germany

Phone +49 2392 9191-0

info@roetelmann.de

www.ballvalve.de



shop.roetelmann.de